
Kalos

ARMCHAIRS

Antonio Citterio



Description

A modern interpretation of the more classic easy chair, Kalos comes both in leather and fabric upholstery. The latter can be stretched or formed by a slipcover hiding the feet or the revolving base. The footrest has two different heights. The feet are of solid wood in several finishes, brushed light or black oak, or in grey or brown oak, or wenge.

Technical information

Internal frame:

tubular steel and steel profiles

Internal frame (9765):

multilayered wood panel

Internal frame upholstery:

Bayfit® (Bayer®) flexible cold shaped polyurethane foam, polyester fibre cover

Internal frame upholstery (9765):

shaped polyurethane, polyester fibre cover

Headrest upholstery (9750P):

polyester fibre, cotton cover, steel sheet counterweight

Swivel base-frame (9750G):

metallic grey colour painted steel laminate and aluminium extrusion

Feet (9750-9765-9765A):

solid wood: grey oak, brushed light oak, brushed black oak or smoked stained oak

Feet (9750F-9765AF):

solid wood: smoked stained oak

Ferrules:

thermoplastic material

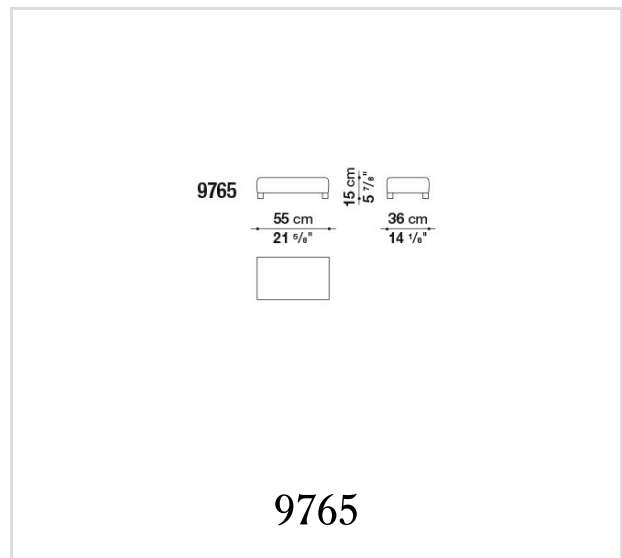
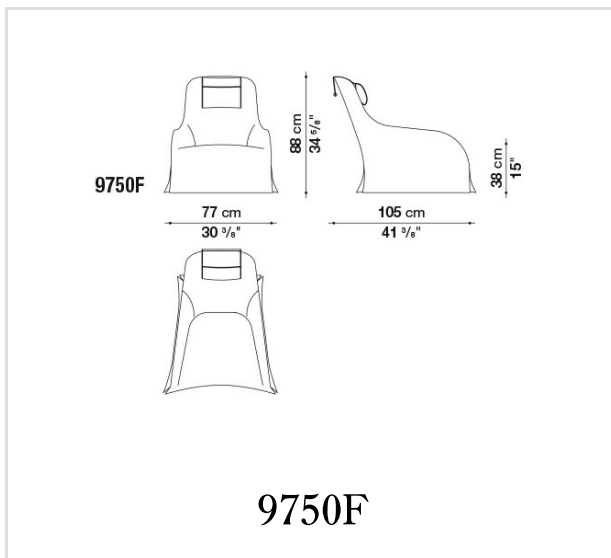
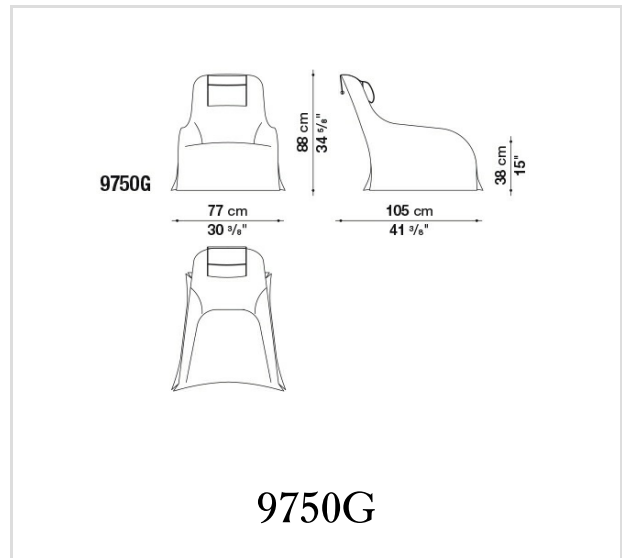
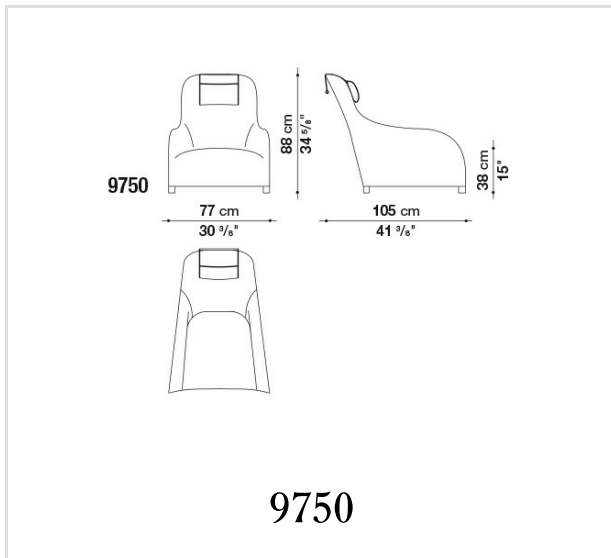
Cover (9750-9765-9765A):

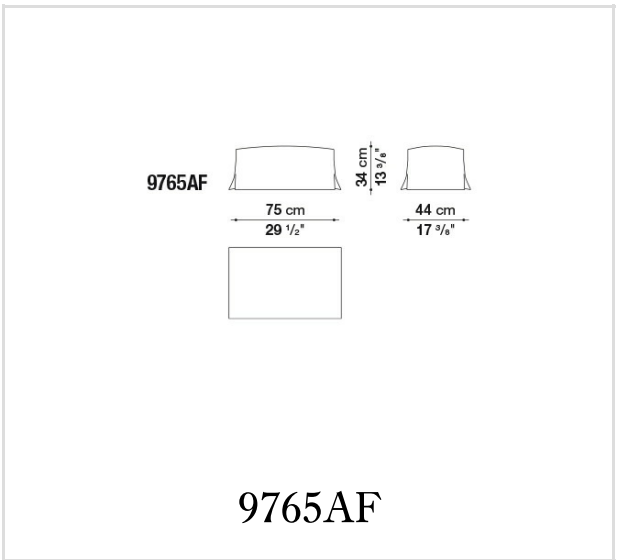
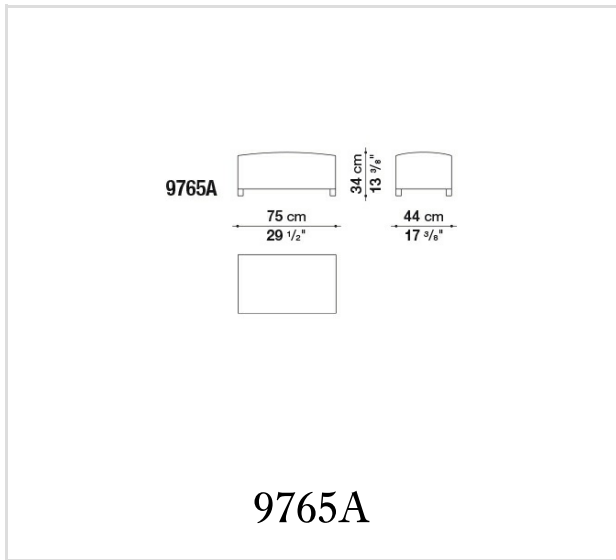
fabric or leather

Cover (9750F-9750G-9765AF):

fabric

Technical drawings





B&B Italia reserves the right to make technological and aesthetic improvements to its models, including changes to the sizes and materials, without notice. The technical drawings do not define the details of the product. The measurements shown are indicative and may undergo changes. In particular, the dimensions relevant to the padded parts are subject to usage tolerances over time caused by the normal adjustment of the padding. For the specific information, please contact the dealer closest to you.